

SMALL SURGE PROTECTOR SHELTER

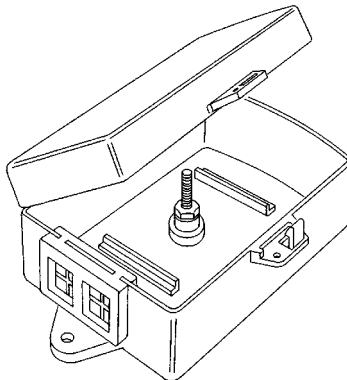
The weather-resistant Small Surge Protector Shelter (simply referred to as the shelter in this manual) provides protection from the elements for Surge Protectors when located outside. The shelter can accommodate one or two Surge Protectors, protecting two to four wires.

CAUTION: *Please note that we have made every attempt to provide a safe product, but Davis Instruments assumes no liability for any injury or damage caused directly or indirectly by the installation or use of this product.*

COMPONENTS

Please make sure that you have listed components before continuing.

- ◆ Enclosure
- ◆ Two #10-32 Brass Hex Nuts
- ◆ Two Flat Washers
- ◆ Locking Washer
- ◆ Two #8 x Ω " (19 mm) self-tapping screws



TOOLS AND MATERIALS NEEDED FOR INSTALLATION

In addition to the components listed above, you may need the following tools and materials. Please be sure you have everything you need before beginning the installation.

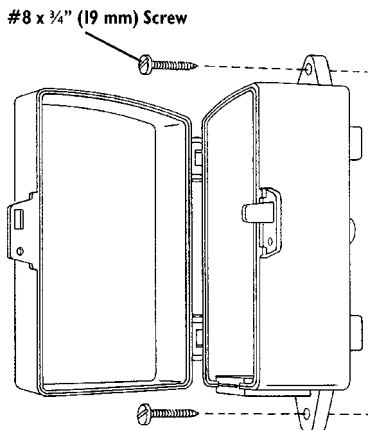
- ◆ Surge Protectors (Davis Product #7767)
The Small Surge Protector Shelter may house up to two Surge Protectors.
- ◆ Medium Flat Head Screwdriver
- ◆ Wire Cutter
- ◆ Wire Stripper or Knife
- ◆ 3/8" Wrench or Nut Driver
- ◆ Center-Punch
- ◆ Drill with #29 (.136", 3.5 mm) drill bit

MOUNTING THE SMALL SURGE PROTECTOR SHELTER

You may mount the shelter against a wall or other vertical surface or you may simply lay it down on a horizontal surface. The preferred mounting method is to mount it on a vertical surface in a protected location with the rubber grommet facing down.

Note: You may install the wires through the grommet and into the terminal blocks before or after mounting the shelter.

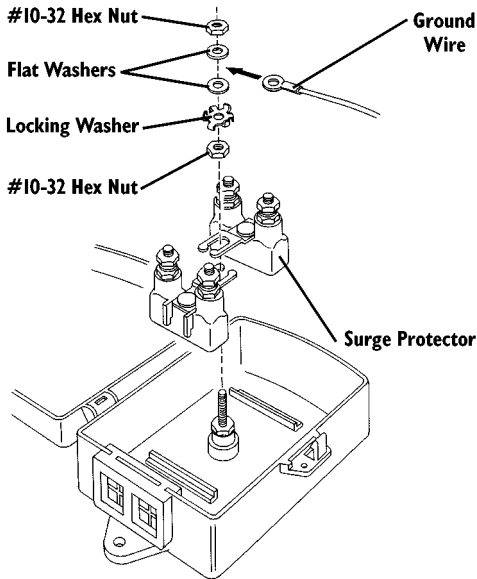
1. Hold the shelter against the mounting surface and mark the location of the screw holes. Use a pencil or a center punch to mark the location of the screw holes.
2. Drill pilot holes in the marked locations using a drill with a #29 (.136", 3.5 mm) drill bit.
3. Secure the shelter to the mounting surface using the #8 x $\frac{3}{4}$ " (19 mm) screws as shown below.



MOUNTING THE TERMINAL BOX

ATTACHING THE SURGE PROTECTOR(S)

Place the Surge Protector(s) into the shelter and secure in place using a #10-32 hex nut as shown below. Place the locking washer and a flat washer over the hex nut. Place the ground wire's spade lug over the mounting post and secure using a flat washer and #10-32 hex nut as shown below.

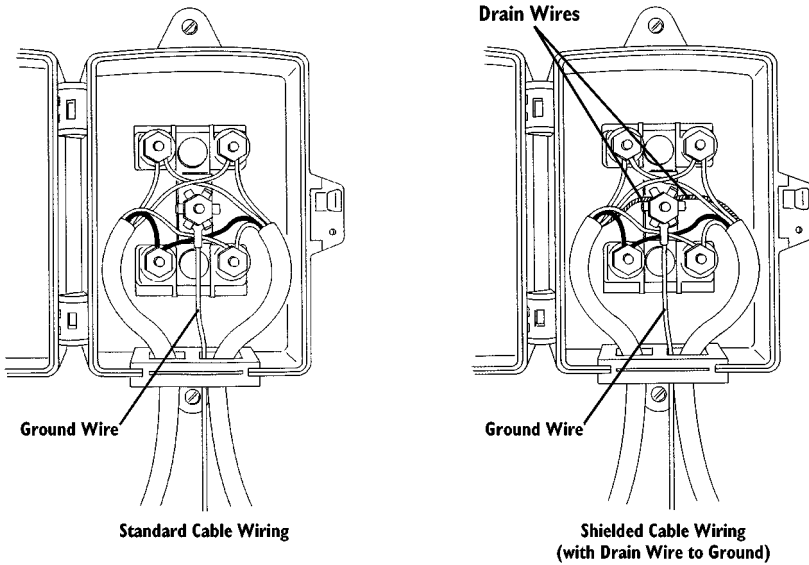


ATTACHING SURGE PROTECTORS

ATTACHING WIRES TO SURGE PROTECTORS

1. Route the ground wire through the grommet at the base of the shelter and attach to a suitable ground, such as Davis's Grounding Kit (#7780).
2. Prepare the cables by cutting the modular connector off (if using standard cable), stripping 1" (25 mm) of the jacket (the outer covering) and the shield (the foil-like inner covering on shielded cables) from each cable, and stripping $\frac{1}{2}$ " (12.5 mm) of insulation (the colored covering) from each individual wire.
3. Loosen both hex nuts on each post of the Surge Protector.
Loosen the top hex nut as far as possible; loosen the bottom hex nut about half way along the screw post.
4. Pass the cables through the grommet in the base of the shelter.
5. Place one wire from the first cable between the two bottom washers.
Bend the wire around the screw post.
6. Tighten the bottom hex nut until the wire is secured.
7. Place the same colored wire from the second cable between the two top washers.
Bend the wire around the screw post.
8. Tighten the top hex nut until the wire is secured.

9. Repeat this procedure for each colored wire.
10. If attaching shielded cable, loosen the top hex nut on the mounting post (where the Surge Protectors are held in place) and place the bare drain wires from each cable between the two flat washers, bending the wires around the screw post. The drain wires go in the same location as the ground wire (see "Attaching Surge Protectors" on page 3).
11. Tighten the top hex nut on the mounting post until the drain wires are secured.



ATTACHING WIRES TO THE SURGE PROTECTORS

Product Numbers: 7768

Davis Instruments Part Number: 7395-107

Small Surge Protector Shelter

Rev. A Manual (7/8/99)

This product complies with the essential protection requirements of the EC EMC Directive 89/336/EC.

© Davis Instruments Corp. 1996. All rights reserved.

DAVIS 
Davis Instruments

3465 Diablo Avenue, Hayward, CA 94545 U.S.A.