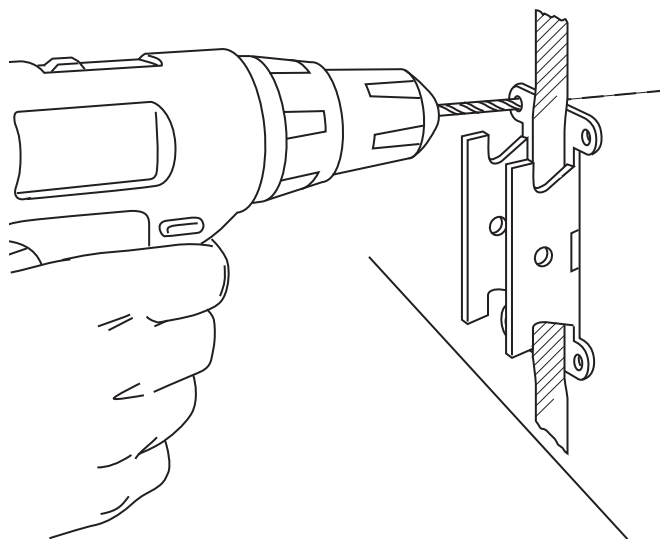
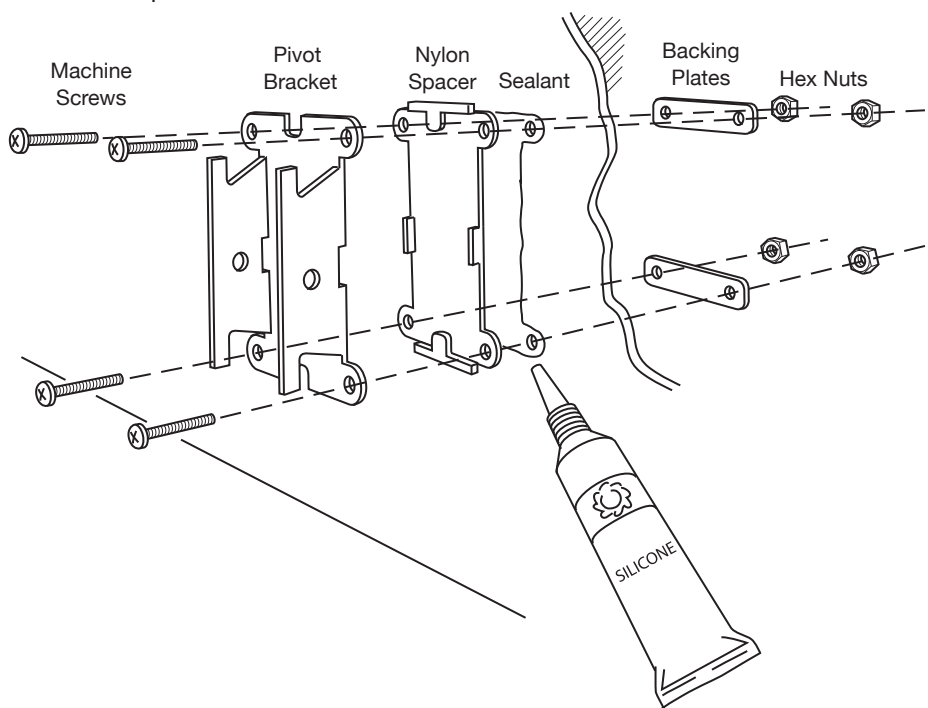


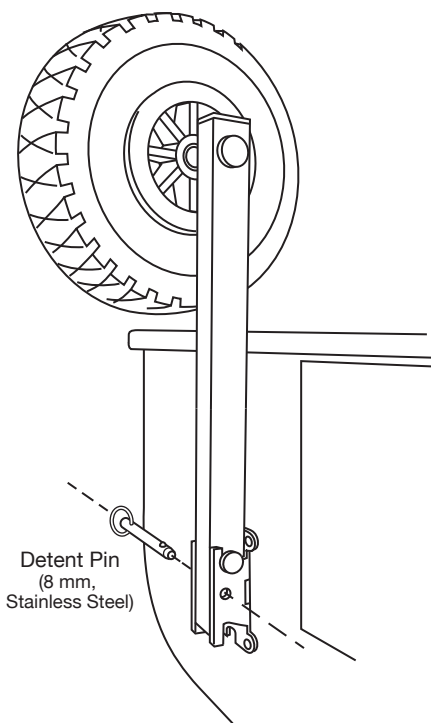
7. DRILL FOUR 3/16" (5 mm) HOLES through the transom for attaching the pivot bracket.



8. AFFIX PIVOT BRACKET. 3/16" (5 mm) machine screws and hex nuts are provided in the parts kit, as are a nylon spacer and backing plates for inside the transom. Apply sealant behind spacer. Assemble parts as shown below.



9. ATTACH WHEELS. With both pivot brackets installed, the wheel frames can now be fastened with the detent pins.



### ONE-YEAR WARRANTY

We warrant our products to be free of defects in material and workmanship for one year from the date of original purchase. Write for full warranty details.

This warranty does not apply to product which has been used on loads weighing more than 220 pounds (100 kg).

### Davis Instruments

3465 Diablo Avenue, Hayward, CA 94545, U.S.A.  
Phone (510) 732-9229 • Fax (510) 732-9188  
info@davisnet.com

For information about our other fine products, visit [www.davisnet.com](http://www.davisnet.com)

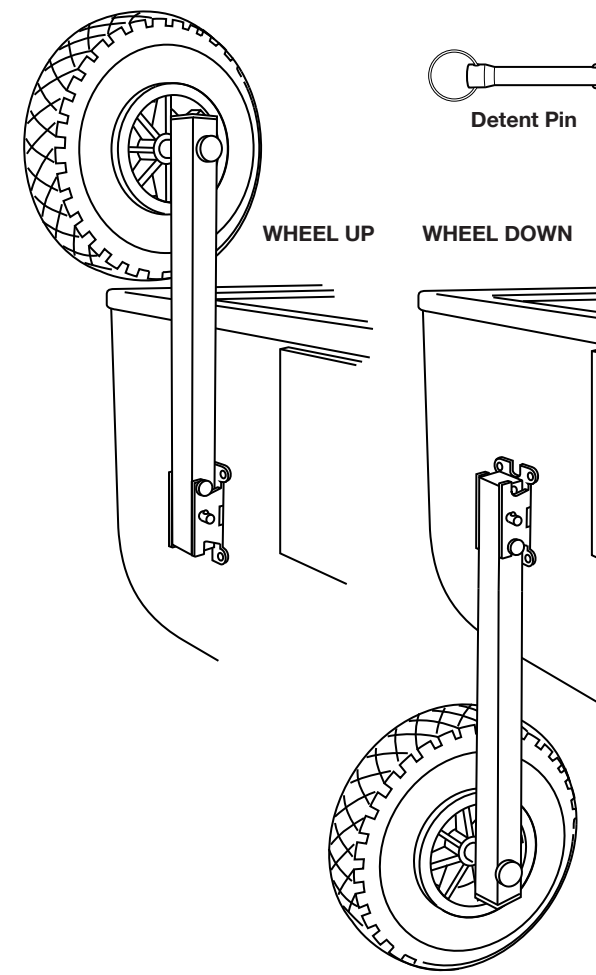
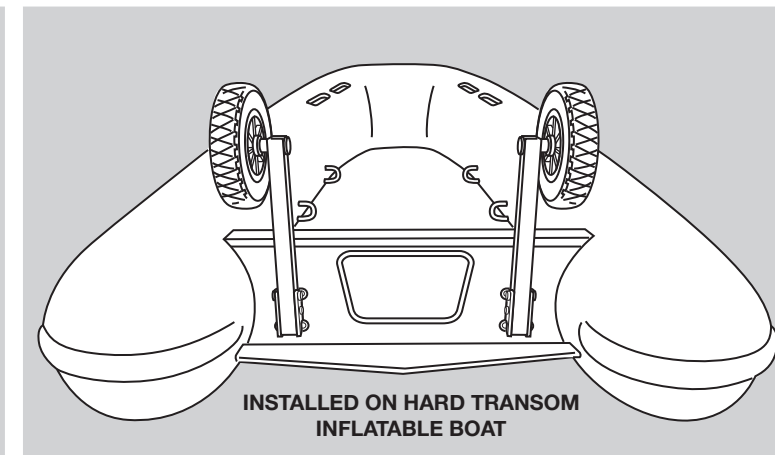
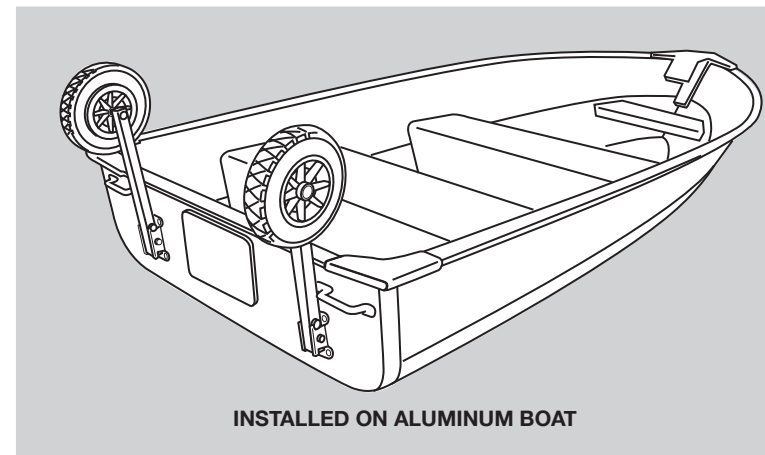
**DAVIS**

#1482  
STANDARD

# Wheel-a-Weigh™

## LAUNCHING WHEELS

This product is not designed to be used on loads over 220 lbs. (100 kg).



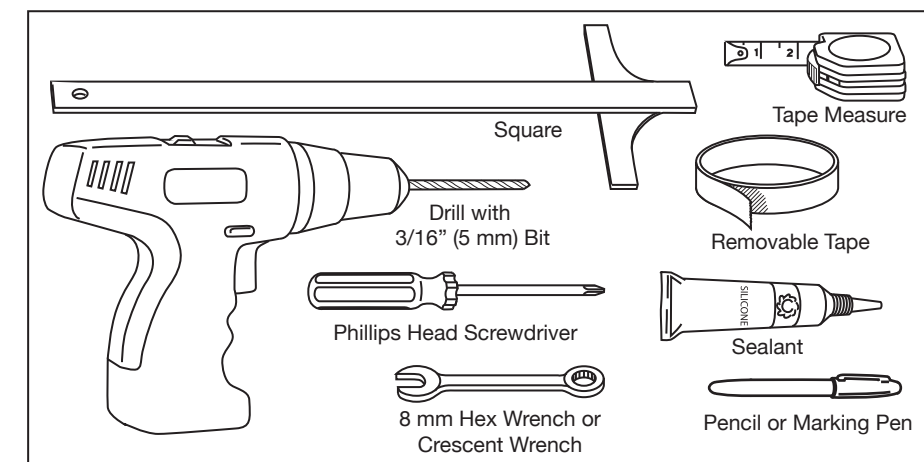
### CARRYING THE BOAT

Wheel-a-Weigh transom wheels are portable and removable. A detent pin on each pivot bracket lets you position the wheels up or down, or remove them completely for storage.

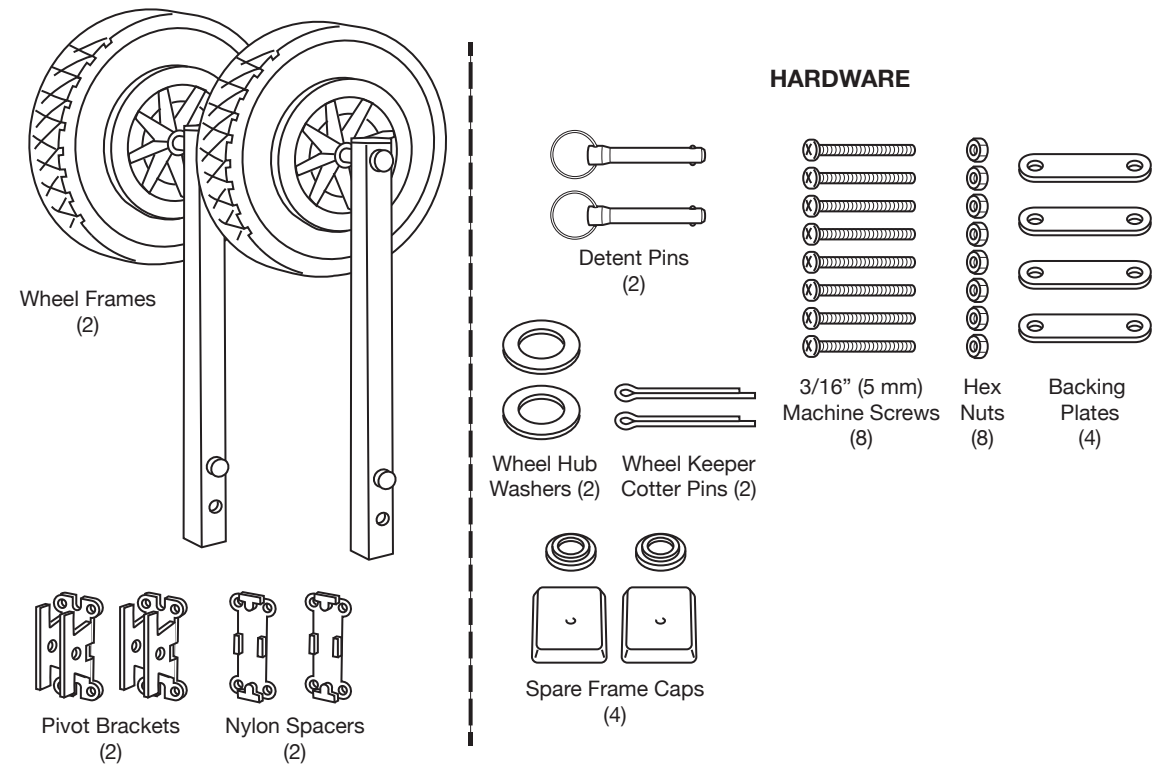
In most cases, you can operate the craft without removing the wheels.

**CAUTION:** This product is not designed to be towed behind a vehicle. Damage may occur and will void the warranty.

### TOOLS NEEDED FOR INSTALLATION



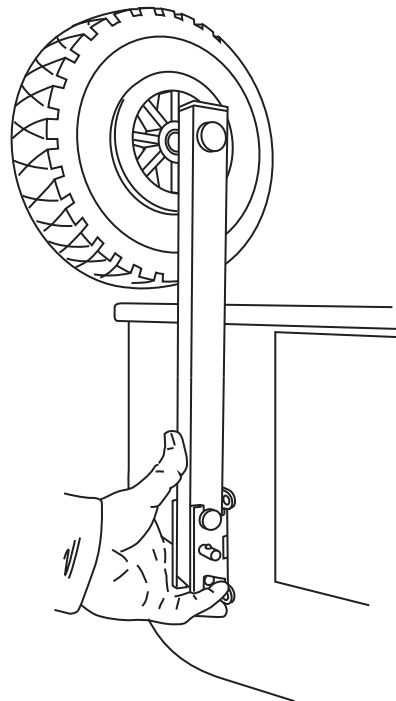
## #1482 PARTS LIST



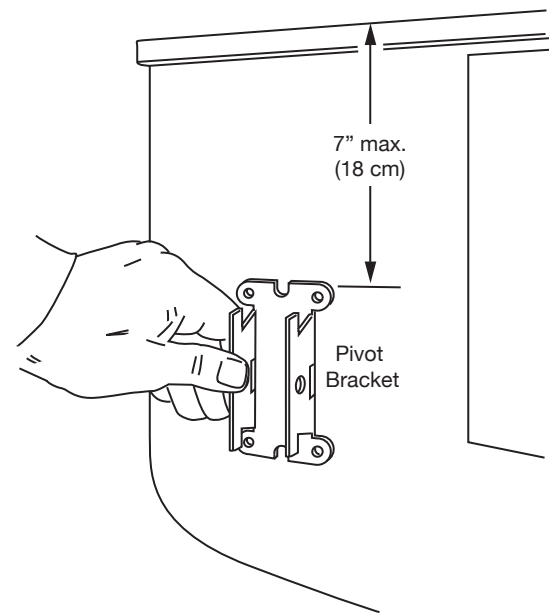
## ASSEMBLY INSTRUCTIONS

The process below will be repeated for both port and starboard wheels. Quality of installation depends on careful measurements—"measure twice, drill once."

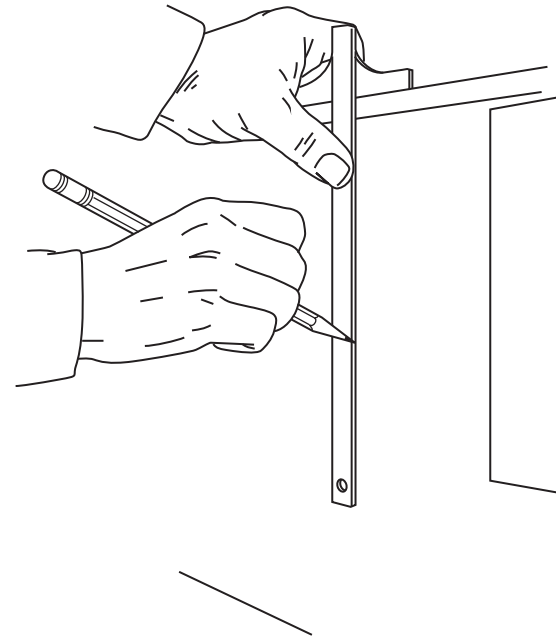
- 1. POSITION WHEELS ON THE TRANSOM.** Be sure they clear obstructions such as lifting handles on an aluminum boat or tubes of an inflatable. Leave clearance for outboard motors. Position the wheels as far apart as possible, with the tires facing out. Mark the horizontal location.



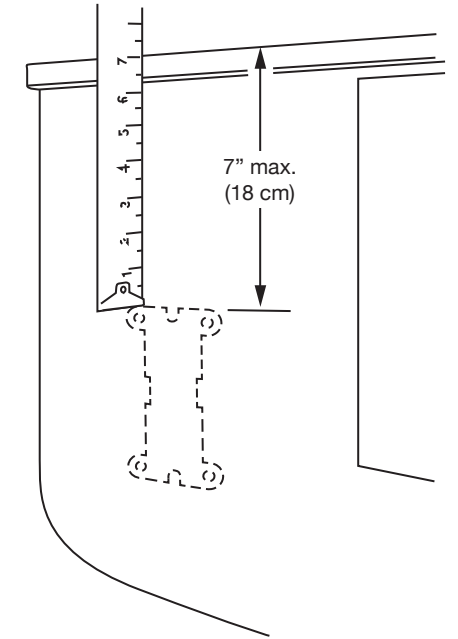
- 2. ALLOW 7" (18 cm) ABOVE THE PIVOT BRACKET** for the wheels to clear the top of the transom. Measure and mark the vertical location.



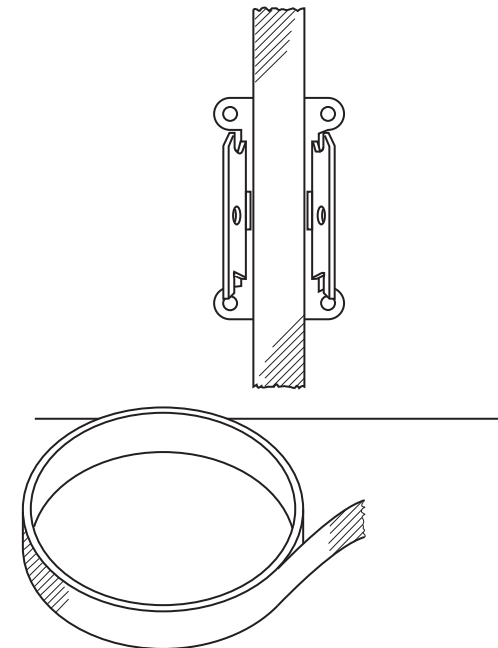
- 3. MARK TRUE VERTICAL.** Most applications call for perpendicular orientation of the wheel frames. This can be determined using a T-square.



- 4. DOUBLE-CHECK THE 7" (18 cm).** Confirm that this distance is not exceeded between the pivot bracket and the top of the transom.



- 5. TAPE PIVOT BRACKET IN PLACE** with removable tape.



- 6. MARK FOUR HOLES** for drilling.

