

Davis 

PYTHON™

A Universal Alternative for Attaching Fenders

#1475
for 7/8" railings/stanchions
(22 mm)

#1476
for 1" railings/stanchions
(25.4 mm)

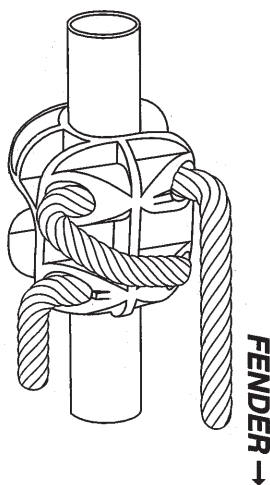
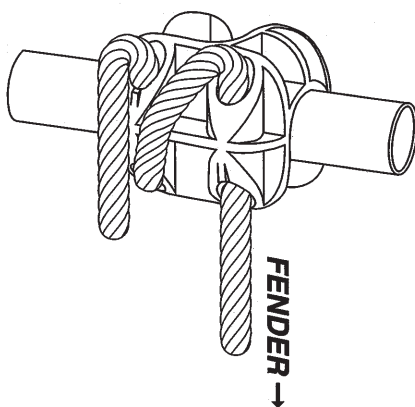
INSTRUCTIONS

Python™ grips boat fender lines like no other product on the market. Attaches universally onto railings and stanchions, whether they're horizontal, vertical, or angled. Python #1475 fits 7/8" (22 mm) railings or stanchions; #1476 fits 1" (25.4 mm). Python makes it easy to adjust the line length for proper dock fender height. Usable on all types of fenders. Works with 3/8" and 1/2" line (9.5 and 12.7 mm). See threading instructions below.

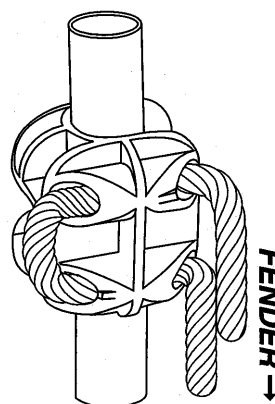
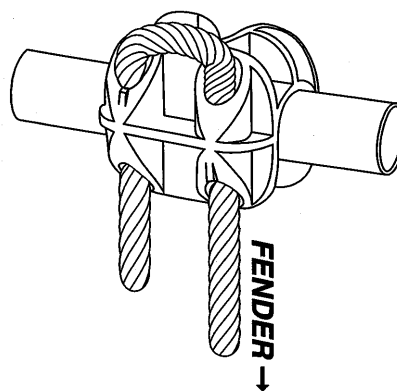
Python is made of glass reinforced, UV resistant nylon for outstanding strength and longevity.



Thread for 3/8" (9.5 mm) Line:



Thread for 1/2" (12.7 mm) Line:



Davis Instruments

3465 Diablo Ave., Hayward, CA 94545 U.S.A.
Phone (510) 732-9229 • Fax (510) 732-9188
info@davisnet.com www.davisnet.com