

## INSTRUCTIONS

Davis **WindScribe™** ultrasonic wind meter is portable, rugged, with no moving parts. Provides wind speed, temperature, wind chill. Uses ultrasound technology to read current wind speed from 0.4 to 150 mph, highest positive speed (headwind), lowest negative speed (tailwind), 5-second average, and running average. Select from mph, km/h, fpm, m/s, f/s, or knots. Choose temperature and wind chill in °F or °C, in tenths of a degree.

Includes 3-volt lithium battery, adjustable wrist lanyard, mounting bracket with 6" (15 cm) Velcro® strap.

Use three ways:

- Handheld
- Tripod mount
- Mounting bracket

**Ultrasonic wind barrel** with ultrasonic sensors and advanced micro-processor circuitry.

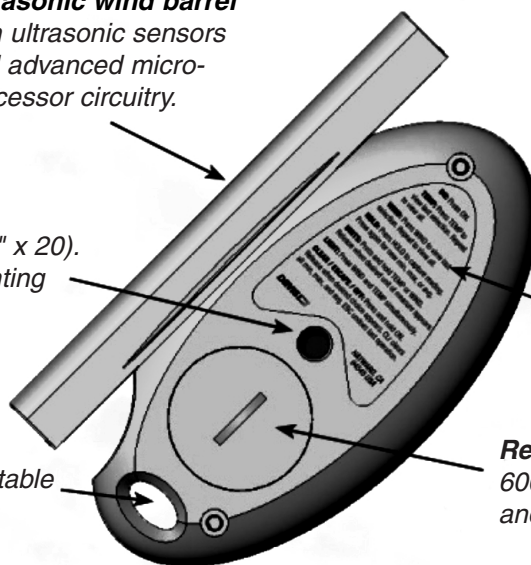
**Tripod thread** (1/4" x 20). Also used for mounting bracket.

**Wrist lanyard**, adjustable and removable.



**Ultrasonic Wind Meter**

**Metric and U.S. units of measure**



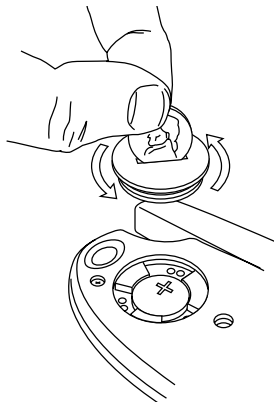
**Telltale slot** so you'll know when the unit is pointed directly into the wind. Tie a piece of yarn or string (not included) to telltale slot.

**Quick Reference Guide.**

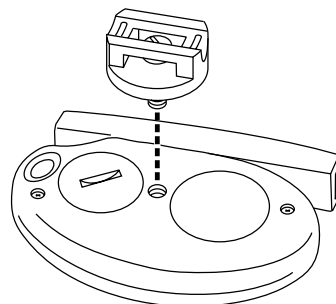
**Replaceable battery.** Up to 600 hours of use, with auto-off and low battery indicator.

### Getting Started

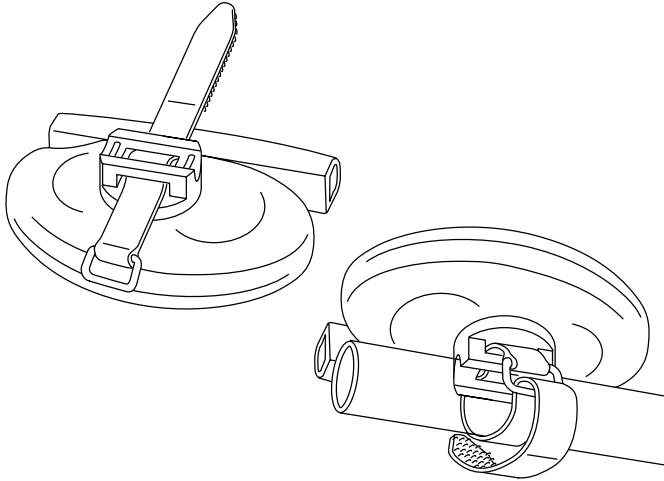
**1. Install Battery.** Use coin to open battery door. Install battery positive (+) side up. Replace battery when low battery indicator is displayed.



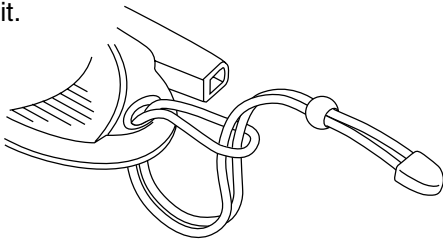
**2. Attach Mounting Bracket.** Attach mounting bracket to tripod thread.



Secure to handlebar or strut using Velcro® strap. Fits bars 3/4" to 1 1/2" in diameter (19 to 38 mm).



**3. Attach Wrist Lanyard.** Feed one end of lanyard through mounting hole to form a small loop. Feed opposite end through loop and pull tight. Slide bead to adjust fit.

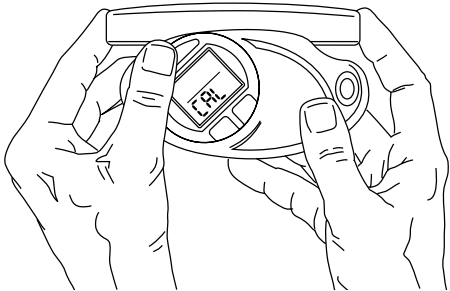


**Tripod Mounting.** Attach tripod to tripod thread (1/4" x 20).

**Telltale.** Tie a piece of yarn or string (not included) to telltale slot on front of unit to help determine wind direction.

## Operation

**Power On.** Block both ends of wind barrel to ensure correct zero speed setting, then press ON. CAL indicates unit is calibrating.



**Measure Wind Speed.** Point front of wind barrel into wind to measure positive (+) wind speed or headwind. Point rear of wind barrel into wind to measure negative (-) wind speed or tailwind.

**Power Off / Clear Readings / Escape.** When you press and hold ON, the display cycles through three modes: OFF, CLr (clear), and ESC.

- To power off, release when OFF is displayed. Also turns off after 5 minutes of no button activity and zero wind speed.
- To clear max, min, and avg readings, release when CLr is displayed.
- To return to operation without clearing readings, release when ESC is displayed.

**Hold Current Reading.** Press HOLD to capture current reading in upper display. LCD indicates hold in progress. Press again to release.

**Turn Light ON.** Press TEMP and WIND at the same time. Light turns off after 10 seconds.

## Functions

**Change Temperature Display Mode.** Press TEMP to cycle through: temp, max temp, min temp, wind chill, and min wind chill.

**Change Temperature Units of Measure.** Press and hold TEMP until you see desired unit.

**Change Wind Display Mode.** Press WIND to cycle through wind speed modes; speed, 5 sec avg speed, running avg speed, max speed, and min speed.

**Change Wind Speed Units of Measure.** Press and hold WIND until you see desired unit: mph, knots, f/s, fpm (x10), m/s, or km/h.

## Wind Speed Display Modes

**Speed:** Current speed

**5 Sec Avg Speed:** 5 second average speed

**Running Avg Speed:** Average speed since last clear  
(up to 45 hrs)

**Max Speed:** Highest positive speed since last clear  
(headwind)

**Min Speed:** Lowest negative speed since last clear  
(tailwind)

## Temperature Display Modes

**Temp:** Current temperature

**Max Temp:** Maximum temperature since last clear

**Min Temp:** Minimum temperature since last clear

**Wind Chill:** Current wind chill (based on current temp  
and 5 sec avg speed)

**Min Wind Chill:** Lowest wind chill since last clear

## Specifications

Visit [www.davisnet.com](http://www.davisnet.com) for complete specifications.

### ***Davis Instruments***

3465 Diablo Avenue, Hayward, CA 94545, U.S.A.  
Phone (510) 732-9229 • Fax (510) 732-9188  
[info@davisnet.com](mailto:info@davisnet.com) • [www.davisnet.com](http://www.davisnet.com)

### ***Davis Marine Europe***

Uilenkade 12 • NL-3336 LP Zwijndrecht • The Netherlands  
Phone +31 78 6194316 • Fax +31 78 6192689  
[euro@davisnet.com](mailto:euro@davisnet.com) [www.davisnet.com](http://www.davisnet.com)